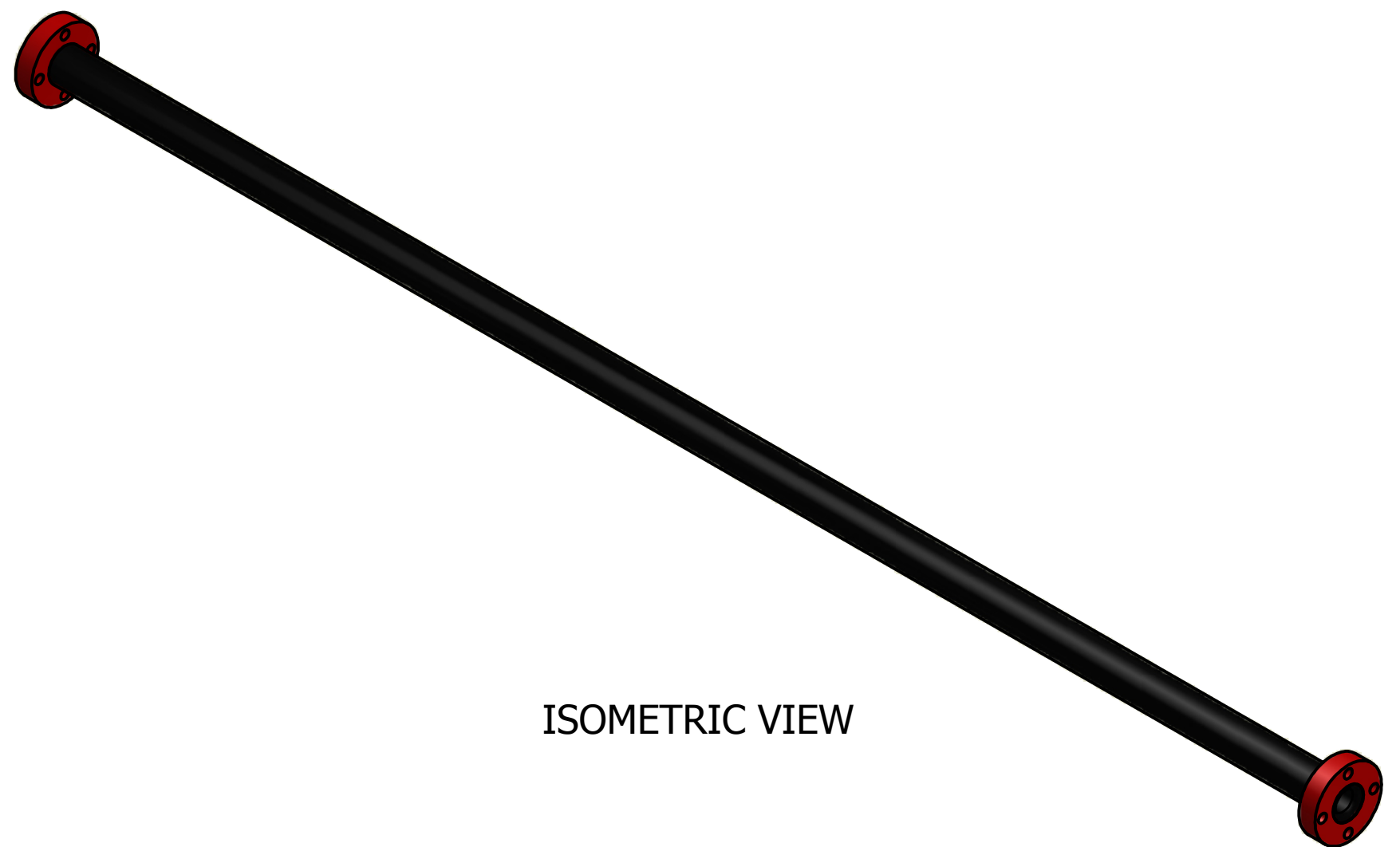
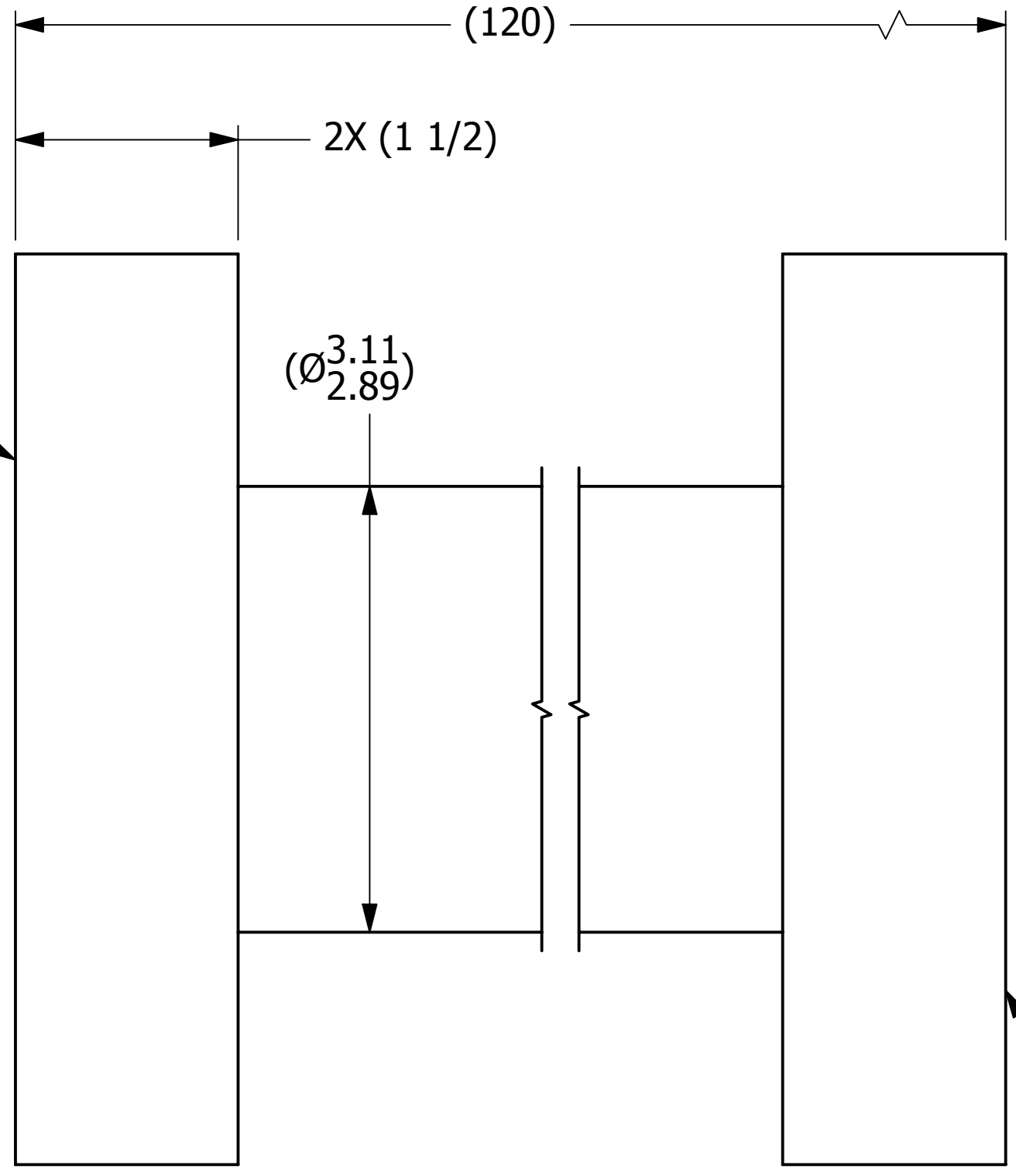
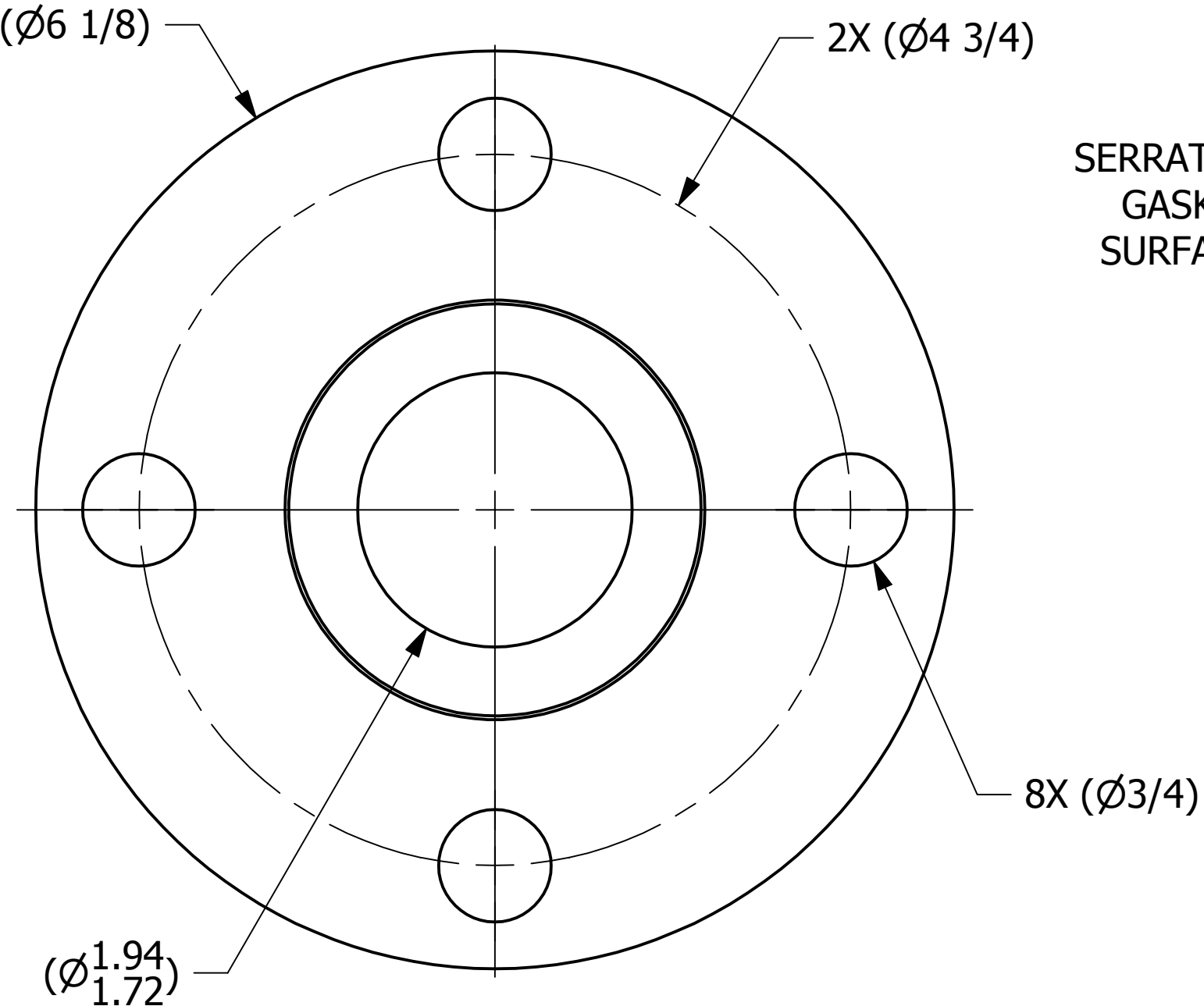


SALES DRAWING SALES DRAWING

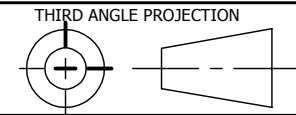
SALES DRAWING SALES DRAWING



NOTE:  
SOLD TO AL SHIRAWI ONLY.

THIS PRINT, PROPERTY OF SALCO PRODUCTS INC., CONTAINS PROPRIETARY INFORMATION AND MUST NOT BE COPIED, REPRODUCED, OR USED DETRIMENTALLY TO OUR INTEREST.

UNLESS OTHERWISE SPECIFIED  
DIMENSIONAL TOLERANCES  
FRACTIONAL: ±1/16  
X.XX: ±.03  
X.XXX: ±.015  
ANGLE: ±1°  
DEBURR ALL SHARP EDGES.  
ALL MACHINED SURFACES TO  
HAVE A 125 RMS FINISH UNLESS  
NOTED OTHERWISE.



DRAWN BY: TAK  
CHECKED BY: EJF  
PROTOTYPE BY: TAK  
PROTOTYPE DATE: 12/7/2015  
APPROVED FOR PRODUCTION BY: TAK  
PRODUCTION DATE: 12/18/2015

A	TAK	12-18-15	RELEASED FOR PRODUCTION
REV	BY	DATE	DESCRIPTION
<b>SALCO PRODUCTS, INC.</b>			
PART NAME: <b>PIPE SPOOL 2"</b>			
MATERIAL: <b>SALCO PE</b>			
PROJECT #: <b>H151006</b>		SHEET #: <b>1 OF 1</b>	SCALE: <b>1:1</b>
DRAWING #: <b>C42849</b>		PART #: <b>HSSP2FP02</b>	